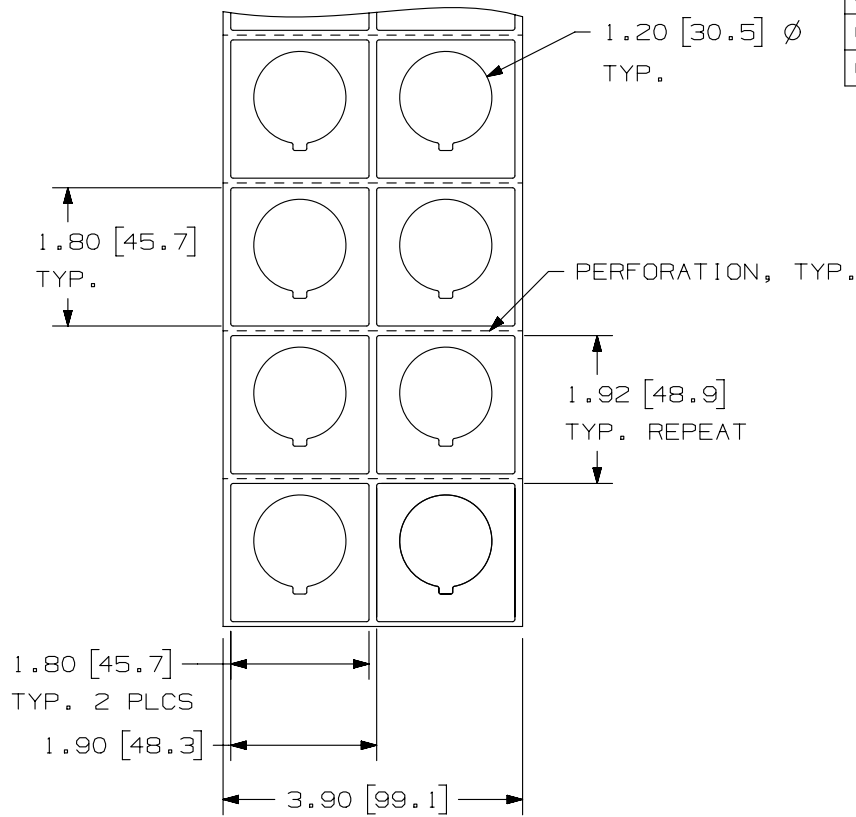


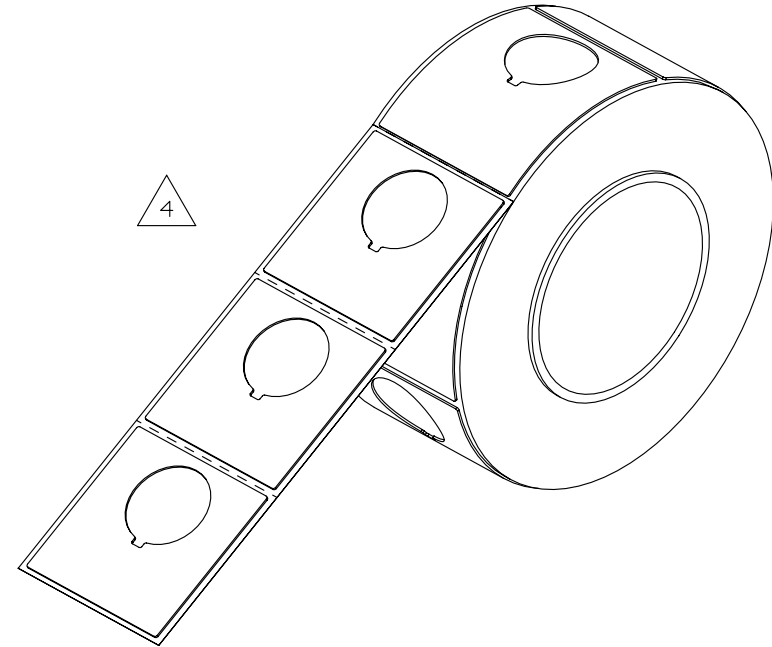
THIS COPY IS PROVIDED ON A RESTRICTED BASIS AND IS NOT TO BE USED IN ANY WAY DETRIMENTAL TO THE INTERESTS OF PANDUIT CORP.

NOTES:

1. DIMENSIONS IN [ ] ARE IN MILLIMETERS.



| PANDUIT PART NO. | MATERIAL | FACE COLOR | PKG. QTY. | THICKNESS        | PRODUCT TYPE                       |
|------------------|----------|------------|-----------|------------------|------------------------------------|
| C180X180A0T-30   | GMH3     | BLACK      | 500       | .030<br>+/- .010 | POLYESTER/ FOAM<br>COMPONENT LABEL |
| C180X180A8T-30   |          | YELLOW     |           |                  |                                    |
| C180X180APT-30   | GMH3-W   | WHITE      |           |                  |                                    |
| C180X180AST-30   | GMH3     | GREEN      |           |                  |                                    |
| C180X180AWT-30   |          | RED        |           |                  |                                    |



| REV | DATE    | BY  | CHK  | APR  | DESCRIPTION  | ECN        |
|-----|---------|-----|------|------|--|------------|
| 4   | 1/10/13 | RVU | DAPE | SEWH | ADD material column and ISO view. Update part numbers sequence list.                 | GAECN00513 |
| 3   | 5/3/10  | RVU | DAPE |      | TOL. SHOULD BE .12, .062, NOT .1, .050.  | 6036       |
| 2   | 1/30/09 | RVU | DAPE |      | REMOVE "REPEAT" FROM THE LABEL SIZE. ADD DIM. PERF. VERTICAL. REMOVE C180X180AMT-22. | 5592       |
| 1   | 1/14/09 | RVU | DAPE |      | VOID   |            |
| 0   | 9/5/08  | RVU | DAPE | PTR  | DRAWING RELEASE.   | 5537       |

|  |                              |
|--|------------------------------|
| TITLE<br><b>RAISED PANEL PUSH BUTTON LABELS<br/>C180X180A*T-30</b><br>CUSTOMER DRAWING   |                              |
| ITEM REVISION NAME<br><b>100491BN/05</b>   | <b>PANDUIT</b> <sup>TM</sup> |
| DATASET FILE NAME<br><b>100491BN-DC-C10727/05E</b>   |                              |
| UNLESS OTHERWISE SPECIFIED,<br>DIMENSIONAL TOLERANCES ARE: IN [ mm ]<br>.x ± .12 [ 3.05 ] .xxx ± .025 [ .635 ]<br>.xx ± .062 [ 1.57 ] ANGLES ± |                              |
| DRAWING NUMBER:<br><b>C10727</b>   |                              |
| DRAWN BY<br><b>RVU</b>   | DATE<br><b>9/5/08</b>        |
| CHK<br><b>MSAD</b>   | SCALE<br><b>NTS</b>          |
| SHT 1 OF 1   |                              |
| SIZE<br><b>A</b>   |                              |

D10100DA/12